



Additional Products

We support the
innovations of customers

Instrument Box
Junction Box
Modules
Air Reservoir / Tank
Others

Leak - Proof
Flow & Control
Solution Partner

The Best Partner
for Value Creation



한선엔지니어링(주)
HANSUN ENGINEERING CO., LTD.



List of Products & Manufacturing Process

PLANT DIVISION

*Instrument Box
Instrument Rack & Stanchion
Condensate Pot
Air Distribution Manifold
Air & Terminal Junction Box
Level Header & Piping Spool
Hook Up Materials*

ROLLING STOCK DIVISION

*Air Piping Module
Brake System Module
Bogie Piping Module
Air Reservoir / Tank
Copper / Stainless Steel Tube
Fitting & Valve
Clamp / Cleat*

*CNG Bus Module Engineering
Fitting & Valve
Testing Facilities*

CNG / NGV DIVISION

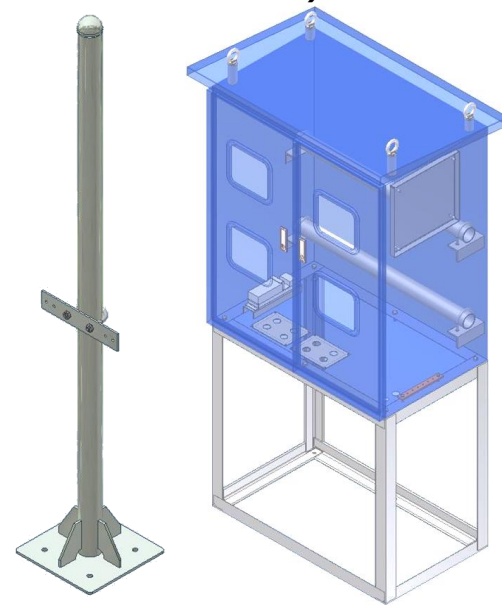
INSTRUMENT BOX / RACK / STANCHION

- Applied Standard : WELDING (KS RULE)
- Applied Fittings : COMPRESSION TYPE FITTING & WELD FITTING
- Materials : TUBING (ASTM A213/269 TP316)

BOX (ASTM A240 TYPE304/316 OR SS400)

RACK (ASTM A36)

STANCHION (ASTM A312 TP316 OR A106 GR.B)



Manufacturing Process (INSTRUMENT BOX / JUNCTION BOX)

<Material Inspection>



<Cutting / Punching>



<Bending>



<Fit-up / Welding>



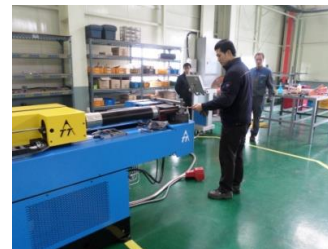
<Inspection>



<Assembling>



<Pipe Bending>



<Painting>

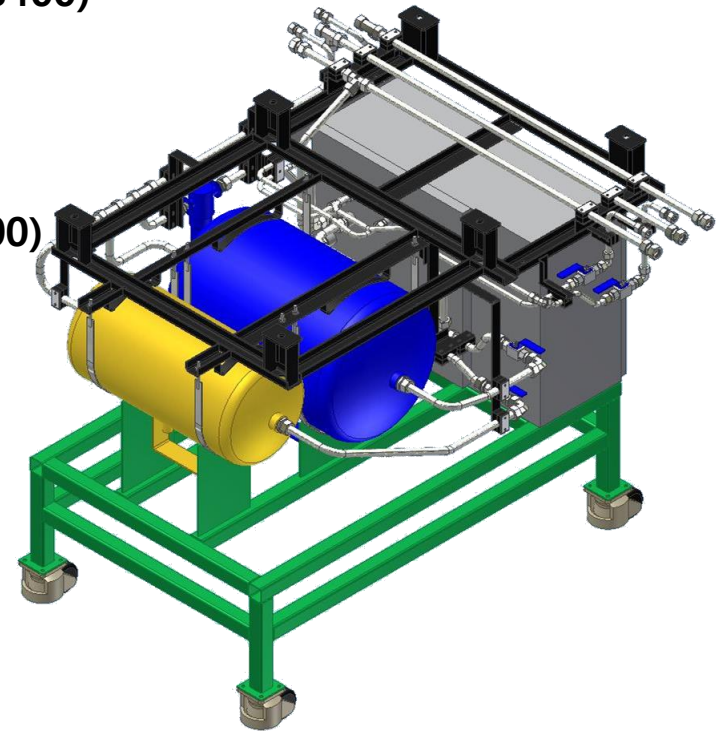


<Packing>



BRAKE SYSTEM MODULE

- Applied Standard : WELDING (KS RULE)
- Applied Fittings : BITE TYPE FITTING (ISO 8434-1 / DIN 2353)
- Material : TUBING (C1220TS-1/2H OR ASTM A269 TP316/304)
AIR RESERVOIR (ASTM A240 TYPE316 OR SS400)
FITTING (BRASS OR STS316)
VALVE (BRASS OR STS316)
BASE FRAME (ASTM A240 TYPE316 OR SS400)



SERVICE GAS SYSTEM MODULE

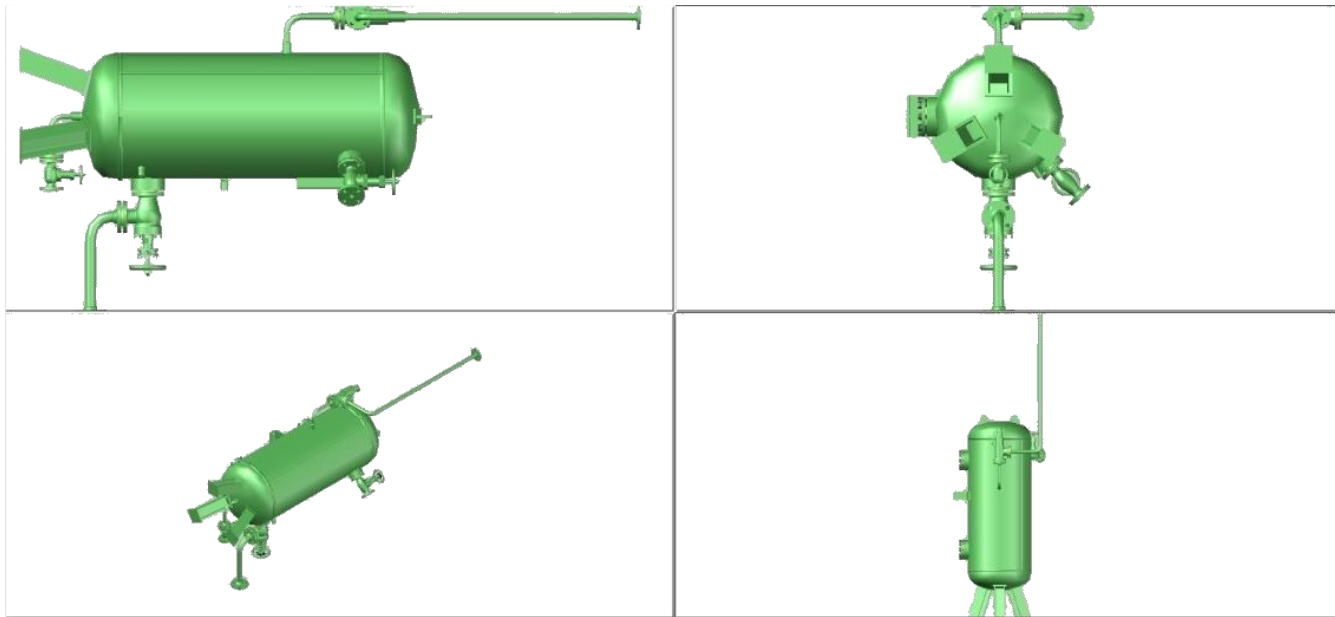
- Applied Standard : WELDING (KS RULE)
- Applied Fittings : THREAD & WELD FITTING
- Materials : PIPING (ASTM A106 GR.B)

GAS BOTTLE RACK (ASTM A36)

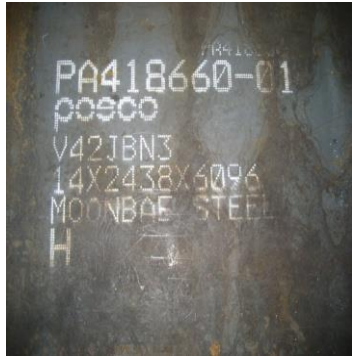


AIR RESERVOIR / TANK

- Applied Standard : WELDING (ASME/KS RULE)
- Materials : PIPING (ASTM A312 TP316 OR A106 GR.B)
TANK (ASTM A240 TYPE316 OR A516 GR.60)
FITTING (ASTM A182 F316/F304 OR A105)
VALVE (ASTM A182 F316/F304 OR A105)



Manufacturing Process (AIR TANK / RESERVOIR)



<Material Inspection>



<PQ / Welder Test>



<Welding Part Inspection>



<Assembling>



<Painting>



<Fit-up & Welding>